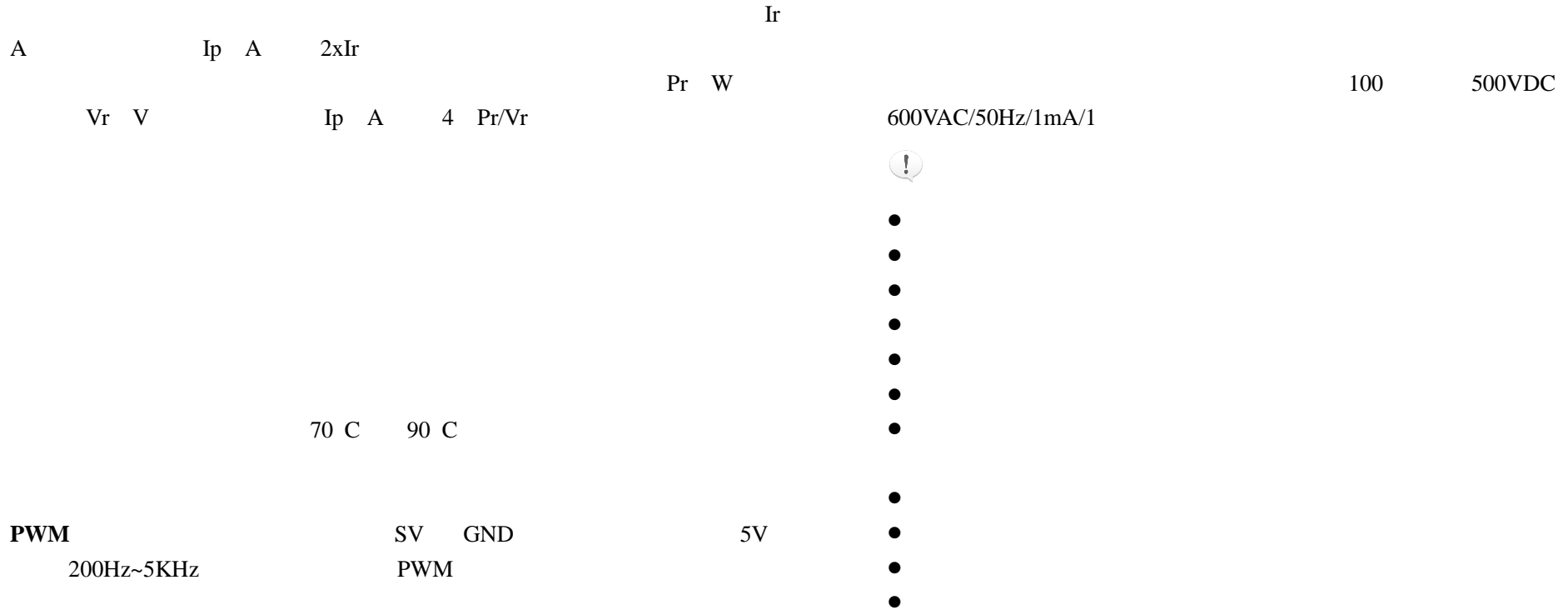


■ 技术源自德国
■ 驱动民族工业

DBH-1500DS

500mm

80%



DBH-1500DS

	4
1	4
2	4
	5
1	5
2	5
3	(:mm).....	6
	7
1.	7
	8
1	(SV).....	8
2	/ EN	9
3	/ F/R).....	9
4	(BK).....	9
5	(PG).....	10
6	ALM	10
7	ERR*	10
	10
1	11
2	11
3	11
4.	:.....	12
	14
	14
	15
	19

DBH-1500DS

HamDerBurg

1500W

PWM

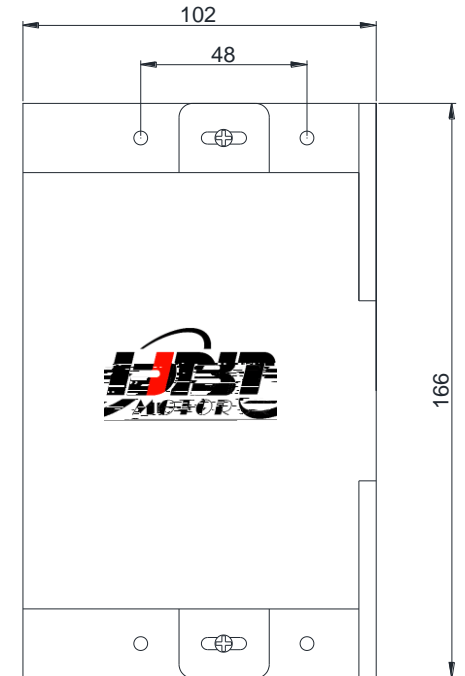
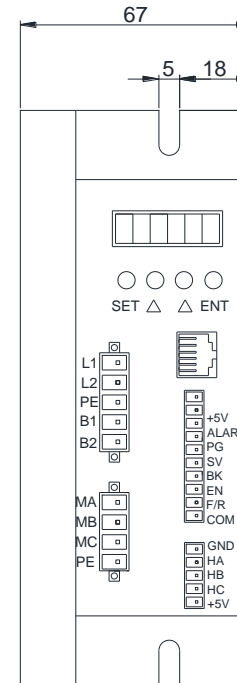


RS485

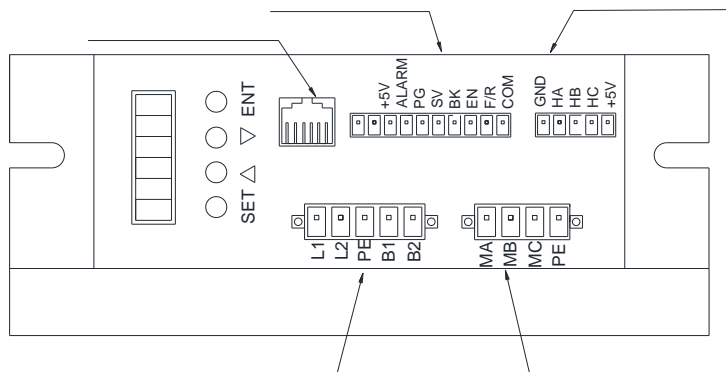
PWM

	85	220	265	VAC
	-	10	-	A
	-	-	24	A
	-	-	1500	W
	0	-	100	%
	25	-	100	%
	-	5	-	V
	-	-	10	mA
	5	10	100	K
	-	85	-	VDC
	-	265	-	VDC

	0	45	+80°C
	40	85%RH	
			1000m
			0.5G, 10hz 60hz()
	-20	+85	
			0.92Kg



10cm



1

1	L1	AC1	85~265VAC
2	L2	AC2	
3	PE		
4	B1		
5	B2		50 100W

2

1	MA	A (U)	
2	MB	B (V)	
3	MC	C (W)	
4	PE		

3)

1	GND		
2	HA	A	
3	HB	B	
4	HC	C	
5	+5V		10mA

3)

1	NC		
2	NC		
3	+5V		10mA
4	ALARM		20mA
5	PG		
6	SV		
7	BK		
8	EN		
9	F/R		
10	COM		

+5V

SV

(5K~100K)

COM

COM ,SV (PLC SV
 DC OV~+5V 0~
 SV COM 5V
 PWM (50uS)
 200Hz~5KHz 20 f/N, N f
 200HZ 20 200/2=2000
 /

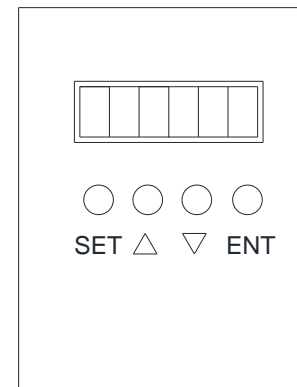
ALM

COM EN COM
 500ms COM

COM F/R COM F/R
 EN GND

: SET : / ()
 : 1
 : 1
 ENT

BK BK COM
 COM
 B1 B2 50
 100W 200W



- 1) , ENT
- 2) ENT SET
- 3) ENT SET
- 4)
- 5) ENT SET
- 6)
- SET
- , ENT
- Err
- (1)Err-01
- (2)Err-02
- (3)Err-04
- (4)Err-08
- (5)Err-10
- (6)Err-20
- (7)Err-40
- (8)Err-80

P00X					
		00			
P000		01 02 PWM 03 MBUS			
P001		1~99		2	
P002		100~9999	RPM	3000	
P003		0-255 (12 3A)	A	10(2.5A)	
P004		0~	RPM	3000	
P005		0~255		0	
P006		0~950	10	900	
P007		00 01		01	
P008	/	00 01		01	
P009		00 01 (DC)		00	
P010		0-FFH	16	03H	
P011		0-FFH	16	10H	
P012		0-FFH			

P014		1-250H	10	1	
P015		0-FFH	16	30H	

1

P013	00	EN	FR	BK
01		EN	FR	BK
02		EN	FR	BK
03		EN	FR	BK
04		EN	FR	BK
05		EN	FR	BK
06		EN	FR	BK
07		EN	FR	BK
08		EN	FR	BK
09		EN	FR	BK
0A		EN	FR	BK
0B		EN	FR	BK
0C		EN	FR	BK
0D		EN	FR	BK
0E		EN	FR	BK
0F		EN	FR	BK

AC == DC / Q

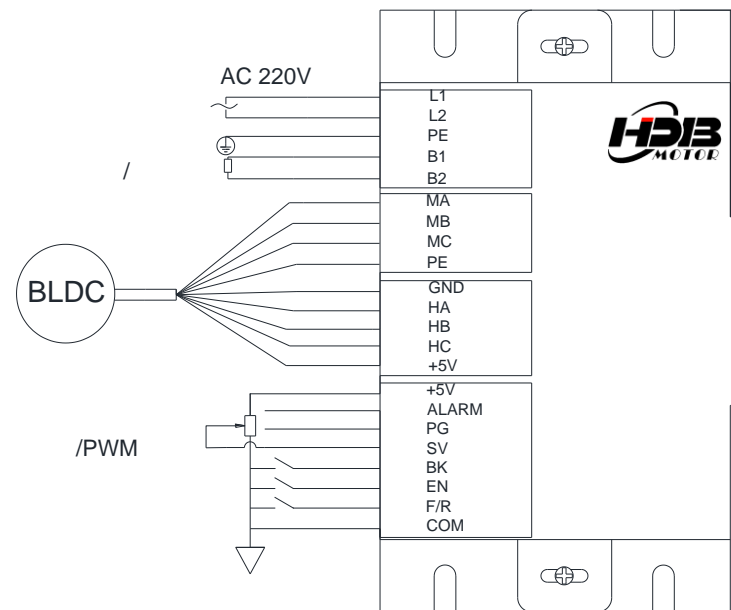
2

P000

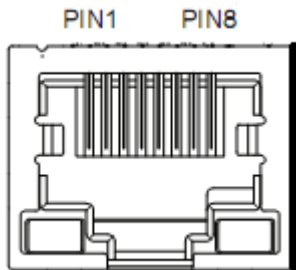
P013

DBH-1500DS

4



2	RS484	Modbus		GB/T 19582.1	2008	00	\$8000	Bit0 EN	Bit1 FR	Bit2
	RTU	CRC	CRC	FFFFH	8					
	03H		06H							
	00									
	1-250									
	251-255									
	RS-485		RJ45							
	RJ45									





DBH-1500DS



DBH-1500DS
